



Main Features

- EEC pattern approval class C for horizontal installation
- Performance equivalent to class B for vertical installation
- EEC approved interchangeable measuring element
- Actual performance better than class C
- Hermetically sealed (IP 68) glass/copper register
- Register may be rotated through 360°
- Not affected by external magnetic fields
- Protection against corrosion by hot-polymerised epoxy paint
- Measuring chamber made of high quality polymers
- Max. working pressure 16 bar

Application

Highly accurate metering of drinking water even at very low flow rates.

Available Options

- 1/4" Pressure tapping
- Up to 3 pulsers (1 x OD, 2 x RD) simultaneously may be fitted without breaking the meter seal (pre-fitted head)
- May be equipped with 3 different electronic counters



HYBRID



ELECTRONIC

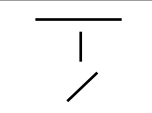
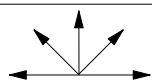


ENCODER

Pattern Approval No.

D00	Nominal Diameter DN 50 ... DN 100
6.131.15	Marking: Metrological class C 30 °C

Installation

Meter axis	horizontal vertical * inclined *	
Head Position	at the top inclined *	

* Performance acc. to class B

Installation Requirements

No straight length necessary upstream of the meter

Do not use any converging section, T-piece or valve immediately downstream of the meter.

Technical Data

Performance data for the Meijet

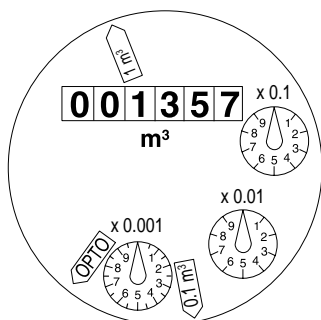
Nominal Diameter	DN	50	60/65	80	100
Nominal flow rate of meter acc. to EEC	Q_n	15	20	30	50
Q_{max} peak flow (a few minutes per 24 hours)	m^3/h	40	60	90	120
Q_n continuous flow ($\pm 2\%$)	m^3/h	20	25	35	60
Q_t transitional flow (horizontal) ($\pm 2\%$)	m^3/h	0.1	0.14	0.18	0.30
Q_{min} minimum flow (horizontal) ($\pm 5\%$)	m^3/h	0.07	0.10	0.10	0.20
starting flow (horizontal)	m^3/h	0.032	0.035	0.040	0.065
Q_t transitional flow (vertical) ($\pm 2\%$)	m^3/h	3.00	4.00	6.00	10.00
Q_{min} minimum flow (vertical) ($\pm 5\%$)	m^3/h	0.45	0.60	0.90	1.50

Performance data according to EEC pattern approval specifications


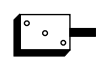
Nominal diameter	DN	50	60/65	80	100
Nominal flow rate of meter acc. to EEC	Q_n	15	20	30	50
Q_{max} maximum flow	m^3/h	30	40	60	100
Q_t transitional flow (horizontal)* ($\pm 2\%$)	m^3/h	0.225	0.30	0.45	0.75
Q_{min} minimum flow (horizontal)* ($\pm 5\%$)	m^3/h	0.09	0.12	0.18	0.30
Q_t transitional flow (vertical)** ($\pm 2\%$)	m^3/h	3.00	4.00	6.00	10.00
Q_{min} minimum flow (vertical)** ($\pm 5\%$)	m^3/h	0.45	0.60	0.90	1.50

* class C, ** class B

Register

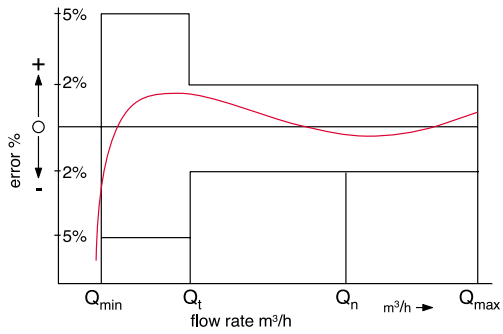


Pulse Values

Pulser		
RD 01		0.01 and 1 m ³ or (on request) 0.1 and 1 m ³
OD 01		0.001 m ³
OD 03		0.01 m ³

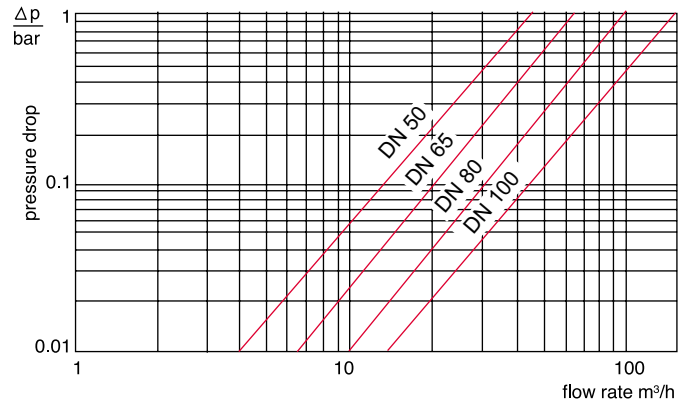
Please refer to the pulser documentation for further details.

Typical Accuracy Curve

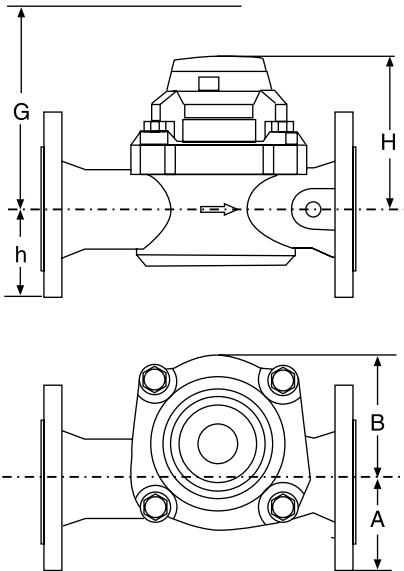


- Q_{max} = maximum flow $\pm 2\%$
- Q_n = nominal flow $\pm 2\%$
- Q_t = transitional flow $\pm 2\%$
- Q_{min} = minimum flow $\pm 5\%$

Typical Pressure Drop Curve



Dimension Diagram



Dimensions and Weights

Length according to ISO 4064

Nominal Diameter	DN	50	60/65	80	100	
Nominal flow	Q_n	15	20	30	50	
Dimensions length	L	mm	300	300	350	350
Height	H	mm	130	134	140	152
	h	mm	75	88	95	105
	G	mm	225	237	247	286
Width	A	mm	83	93	100	110
	B	mm	105	108	140	154
Weight	Complete meter	kg	9.5	11.6	15.6	20.8
	Measuring element	kg	2.3	2.7	4.3	5.3
	Body	kg	7.2	8.9	11.3	15.5

Materials

Body	PN 16	cast iron
Measuring element	50° C	polymers
Rotor	50° C	polymers
We also use the following materials		brass, stainless steel

Length according to DIN 19625

Nominal diameter	DN	50	60/65	80	100	
Nominal flow	Q_n	15	20	30	50	
Dimensions length	L	mm	270	300	300	360
Height	H	mm	130	134	140	152
	h	mm	75	88	95	105
	G	mm	225	237	247	286
Width	A	mm	83	93	100	110
	B	mm	105	108	140	154
Weight	Complete meter	kg	9	11.6	15.1	21
	Measuring element	kg	2.3	2.7	4.3	5.3
	Body	kg	6.7	8.9	10.8	15.7

Available Designs

Nominal Diameter	DN	50	60/65	80	100			
Nominal flow	Q _n	15	20	30	50			
Length between flanges	mm	270 *	300	300	300 *	350	350	360 *

* On request

Order Text

Quantity:

Specification: meijet

Nominal Diameter: DN

Size of meter: Q_n

Overall length:mm

Working temperature: 50 °C

Working pressure: PN 16

Pulse values: /m³

Flange drilling: acc. to DIN 2501, PN 16

Certification: with / without

Order Example

Quantity: 5

Specification: meijet

Nominal Diameter: DN 50

Size of meter: Q_n 15

Overall length: 270 mm

Working temperature: 50 °C

Working pressure: PN 16

Pulse values: 1 / 0.1m³

Flange drilling: acc. to DIN 2501, PN 16

Certification: with