

M-T 40 °C

Domestic Water Meter
Qn 1.5 ... Qn 10, Dry dial
for cold water up to 40 °C



Special Features

- Multijet dry-dial inferential meter
- For cold water up to 40 °C as per ISO 4064
- PN 16 pressure rating
- Hermetically sealed IP 68 copper and glass register
- Shielded against external magnetic fields
- High quality plastics ensure a long working life and excellent measuring characteristics
- Register can be turned through 355°
- Almost linear accuracy curve

Options

- Reed pulser with pulse values of 10, 100 or 1000 litres per pulse
- Encoder register for AMR (Automatic Meter Reading)

Pattern Approvals

D 86

6.131.97

Sizes Qn 1.5 ... Qn 10

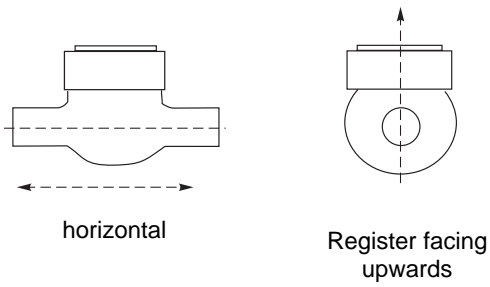
Standard version:
Metrological class B
Horizontal installation (H)

Invensys Metering Systems

More information at
<http://www.ims.invensys.com>



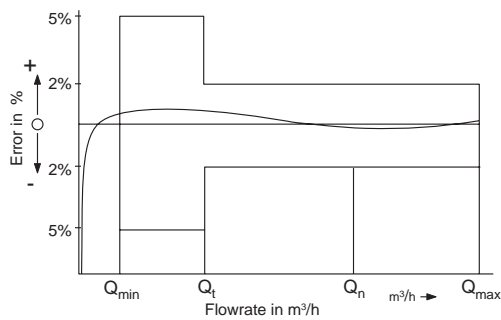
Installation



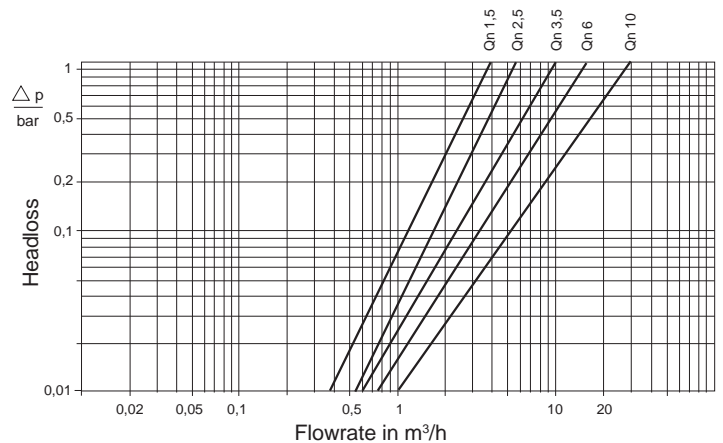
Performance Table

			Qn 1,5T 165 ½"	Qn 1,5T 190 ½"	Qn 2,5 190 ¾"	Qn 3,5 260 1"	Qn 6 260 1¼"	Qn 10 300 1½"
Nominal flowrate	Q _n	m ³ /h	1.5	1.5	2.5	3.5	6.0	10.0
Maximum flowrate	Q _{max}	m ³ /h	3.0	3.0	5.0	7.0	12.0	20.0
Transitional flowrate	Q _t	l/h	120	120	200	280	480	800
Minimum flowrate	Q _{min}	l/h	30	30	50	70	140	200
Starting flowrate		l/h	10	10	15	20	20	40
Headlos at Q _{max}	Δp	bar	0.6	0.6	0.8	0.6	0.85	0.6
Headloss at Q _n	Δp	bar	0.18	0.18	0.19	0.2	0.24	0.22
Register capacity		m ³	100000					
Smallest scale division			0.05					
Pressure rating	PN	bar	16					

Typical Accuracy Curve



Typical Head Loss Curve

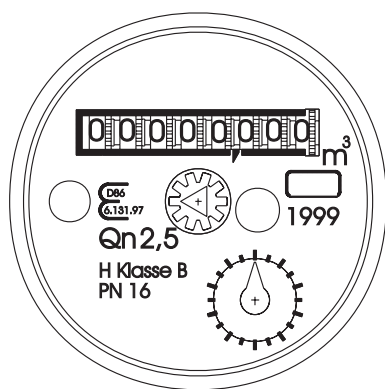


M-T 40 °C

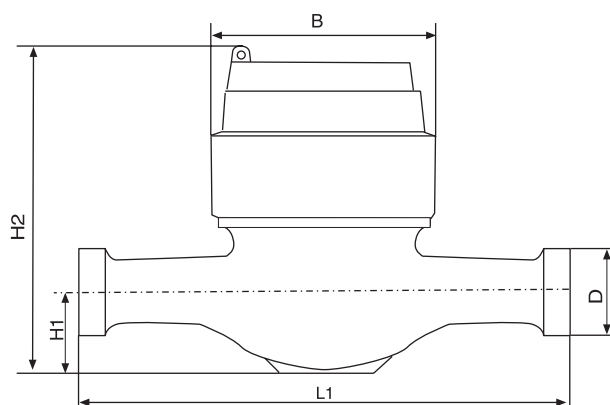
Dimensions and Weights

			Qn 1,5 T 165 ½"	Qn 1,5 T 190 ½"	Qn 2,5 190 ¾"	Qn 3,5 260 1"	Qn 6 260 1¼"	QN 10 300 1½"
Tailpiece connection thread			½"	½"	¾"	1"	1¼"	1½"
Meter connection thread	D	in	G ¾ B	G ¾ B	G 1 B	G 1¼ B	G 1½ B	G 2 B
Body length	L	mm	165	190	190	260	260	300
Overall height	H2	mm	104	104	104	142	142	160
Height	H1	mm	28	28	28	48	48	63
Width	B	mm	82	82	82	102	102	136
Weight (without tailpieces)		kg	0.9	1.1	1.1	2.3	2.3	4.3

Dial



Dimension Picture



Order Text

Quantity:
 Type: M-T
 Nominal size: Q_n
 Body length: mm
 Tailpiece connection thread:
 Meter connection thread:

Materials

Body and head ring	Brass
Measuring cartridge	Plastic
Register	Copper / glass
Roller counter shaft and roller drive shaft	Stainless steel
O-rings	Rubber
All materials used conform to KTW specifications	

Order Example

Quantity: 3
 Type: M-T
 Nominal size: Q_n 2.5
 Body length: 190 mm
 Tailpiece connection thread: ¾"
 Meter connection thread: G 1 B

M-T 40 °C

M-T 40 °C